

Type : 4ZL100L2D-PD-AA-162

Date : 09/02/2026

Power [kW]	: 3.00	Efficiency Class	: IE4
Input Voltage [V]	: 400	Duty Cycle	: S1
Connection Type [Δ / Y]	: Y	Service Factor	: 1.00
Frequency [Hz]	: 50	Frame Size	: 100L
Pole Number	: 2	Weight [kg]	: 25.9
Nominal Speed [rpm]	: 2910	Insulation Class	: F [155°C]
Nominal Current [A]	: 5.50	Temperature Rise	: B [80°K]
Nominal Moment [Nm]	: 9.84	Protection Class	: IP66
Nominal Efficiency [η]	: 89.1	Vibration Severity Grade	: A
Power Factor [cosφ]	: 0.88	Method of Cooling	: IC411 (TEFC)
Locked Rotor Current [Ia/In]	: 8.5	Direction of Rotation	: Bidirectional
Locked Rotor Torque [Ma/Mn]	: 3.0	Balance	: Half Key
Breakdown Torque [Mk/Mn]	: 4.0	Motor Thermal Protection	: PTC (140°C)
Motor Color	: RAL 7031	ATEX Certification Number	: IEP 23 ATEX 1306X
Ambient Temperature	: -20°C / +40°C	ATEX Classification (Gas)	: II 3G Ex ec IIC T4 Gc
Altitude Above Sea Level	: 1000m	ATEX Classification (Dust)	: II 3D Ex tc IIIC T140°C Dc
Sound Pressure Level [dBA]	: 67	ATEX Zone Categories (Gas/Dust)	: Zone 2/22

### ELECTRICAL DATA

Δ / Y	U [V]	f [Hz]	P [kW]	n [rpm]	I [A]	η [%100]	η [%75]	η [%50]	Cosφ	Cl
Δ	230	50	3.00	2910	9.53	89.1	89.5	88.5	0.88	IE4
Y	400	50	3.00	2910	5.50	89.1	89.5	88.5	0.88	IE4
Y	460	60	3.00	3510	4.84	89.5	89.2	88.0	0.87	IE4
Y	460	60	3.48	3500	5.48	89.5	89.4	88.4	0.89	IE4

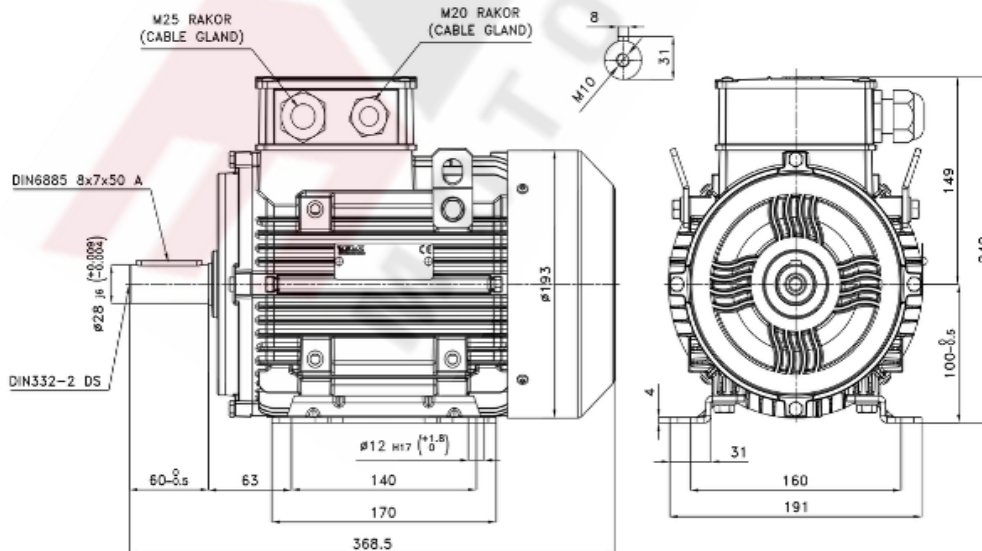
### MECHANICAL DATA

Moment of Inertia [kgm <sup>2</sup> ]	: 0.00503
Bearing [DS / NS]	: 6206ZZ C3 / 6206ZZ C3
Frame Material	: Aluminum
Flange Type / Material	: B3 / Aluminum
Cooling Fan Material	: Plastic
End Shield Material	: Aluminum

### TERMINAL BOX

Terminal Box Material	: Aluminum
Terminal Box Position	: Top
Terminal Box Cable Entry	: M20x1.5+M25x1.5
Terminal Box Gland Material	: Metal
Contact Screw Thread	: M5

### MECHANICAL DIMENSIONS



Manufactured and tested in accordance with IEC 60034

\*Technical data are subject to change! There may be discrepancies between calculated and rating plate values.

\*ELK Motor has right to change all the data without prior notice.

FR.AG.010 REV.NO: 04 REV.DATE: 01.01.2023