

DS-2CE10KF0T-LPTS**3K Two Way Audio Fixed Mini Bullet Camera**

- High quality imaging with 3K, 2960 × 1664 resolution
- 24/7 color imaging with F1.0 aperture
- Smart-Hybrid Light, optimize your security with flexible lighting options
- 3D DNR technology delivers clean and sharp images
- Up to 20 m white light and 25 m IR distance for bright night imaging
- Built-in mic and built-in speaker , high quality audio with audio over coaxial cable
- Provide real-time communication via built-in two-way audio
- Water and dust resistant (IP67)

▪ Specification

Camera	
Image Sensor	3K CMOS
Max. Resolution	2960 (H) × 1664 (V)
Min. Illumination	0.001 Lux @ (F1.0, AGC ON), 0 Lux with white light
Shutter Time	PAL: 1/30 s to 1/50,000 s, NTSC: 1/15 s to 1/50,000 s
Day & Night	ICR
Angle Adjustment	Pan: 0° to 360°, Tilt: 0° to 90°, Rotate: 0° to 360°
Signal System	PAL/NTSC
Lens	
Lens Type	2.8 mm, 3.6 mm fixed lens
Focal Length & FOV	2.8 mm, horizontal FOV: 105.0°, vertical FOV: 62.5°, diagonal FOV: 129°; 3.6 mm, horizontal FOV: 90.0°, vertical FOV: 50.2°, diagonal FOV: 109°
Lens Mount	M12
Microphone	
Pickup Distance	In a radius of up to 5 m
Amount	1
Speaker	
Rated Power	2 W
Speaker Range	In a radius of up to 5 m
Illuminator	
Supplement Light Type	Smart, IR, White Light
Supplement Light Range	IR: Up to 25 m, White Light: Up to 20 m
Image	
Image Settings	Anti-banding, Brightness, Sharpness, Smart IR
Frame Rate	TVI: 3K @ 10 fps/12.5 fps/20 fps/25 fps, 4 MP @ 25 fps/30 fps, 1080P @ 25 fps/30 fps
Day/Night Mode	Auto/Color
Wide Dynamic Range (WDR)	Digital WDR
Image Enhancement	DWDR, BLC, HLC, Global
Noise Reduction	3D DNR
White Balance	Auto, Manual
Audio	
Audio Function	Echo Cancellation, AI Noise Reduction, Automatic Gain Control
Interface	
Video Output	1 HD analog output
General	
Power	12 VDC ± 25%, max. 5.3 W, *You are recommended to use one power adapter to supply the power for one camera.

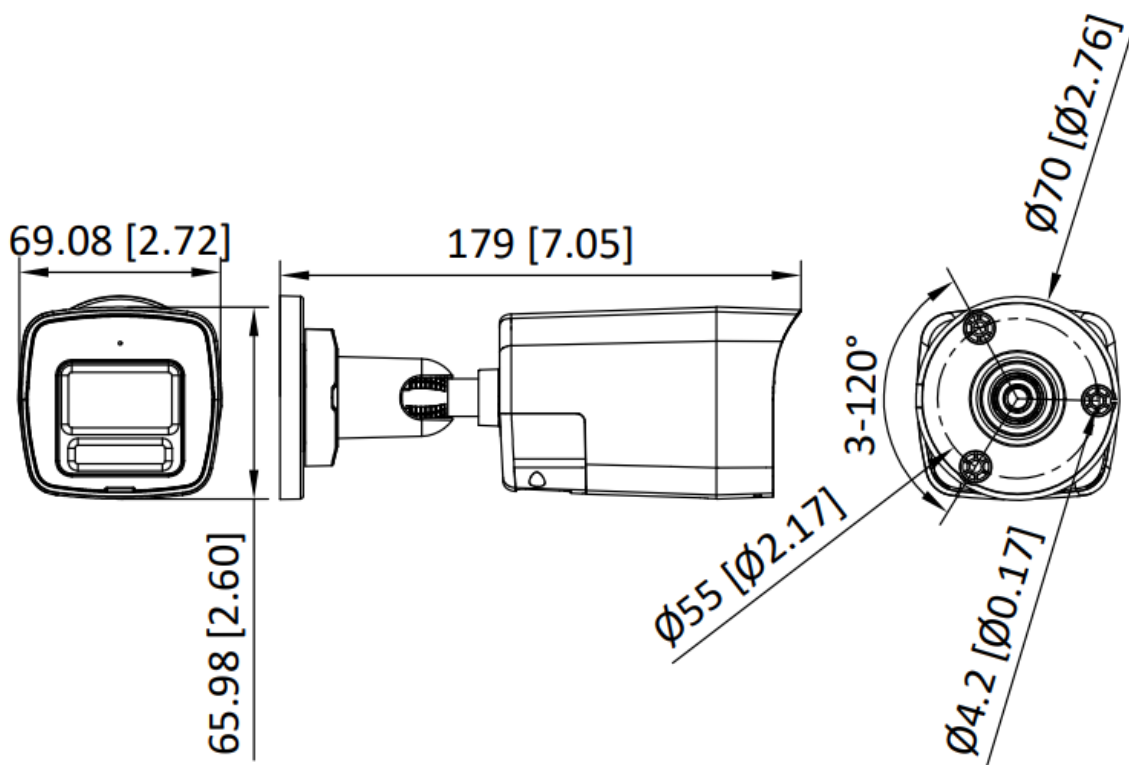
Material	Plastic
Dimension	179 mm × 66 mm × 69.1 mm (7.1" × 2.6" × 2.7")
Weight	Approx. 255 g (0.6 lb.)
Operating Condition	-40 °C to 60 °C (-40 °F to 140 °F). Humidity 90% or less (non-condensing)
Communication	HIKVISION-C
Language	English
Approval	
Protection	IP67

▪ **Available Model**

DS-2CE10KF0T-LPTS(2.8mm)

DS-2CE10KF0T-LPTS(3.6mm)

▪ **Dimension**



Unit:mm [inch]

SCALE	1:1
-------	-----

▪ **Accessory**

▪ **Optional**

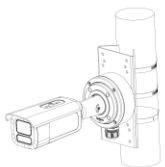
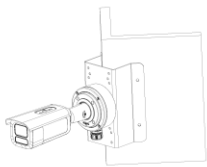
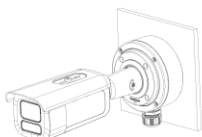
DS-1275ZJ-SUS

DS-1276ZJ-SUS

DS-1280ZJ-XS



▪ **Installation Methods**

Vertical Pole Mounting DS-1275ZJ-SUS+DS-12 80ZJ-XS	Corner Mounting DS-1276ZJ-SUS+DS-12 80ZJ-XS	Junction Box DS-1280ZJ-XS
		

See Far, Go Further



www.hikvision.com
support@hikvision.com

