

The IR Video range of products provides the video surveillance technology for Inner Range's Unified Video, Access and Security solutions. The complete range of products include Video Gateways for providing the link to Inner Range's IR Connect cloud services and through to the full connected eco-system of Inner Range solutions, Edge Cameras incorporating onboard storage and video analytics, and Active Deterrence Cameras providing Video Analytic driven alarm conditions into the IR Eco-system.

The IR CONNECT Mobile Application provides users with the ability to remotely connect, arm & disarm the unified solution, receive events and alarm notifications and associated video to verify the situation on site. This comprehensive security solution incorporating Video, Access Control and Intruder Alarm protects your premises, your assets and most importantly... your people.

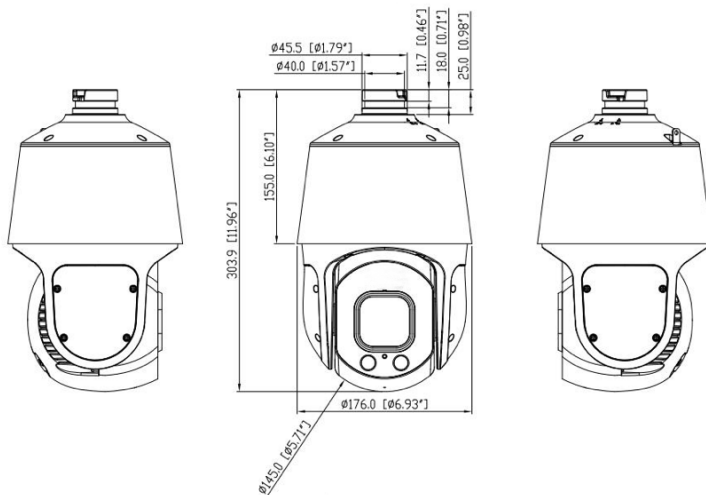
### Key Features

- 1/2.8" progressive scan CMOS
- 30x optical zoom, 16x digital zoom
- Support face, human and vehicle detection and capture
- Support smoke and fire detection as well as smart motion detection
- Auto tracking and perimeter protection based on deep learning
- Intelligent analysis: intrusion, single line crossing, double line crossing, loitering, wrong-way, illegal parking and people counting
- True WDR, 3D DNR, ICR, Defog and Anti-shake
- Smart Illumination, Up to 150 m IR and 50 m warm light distance
- Glass defog heater, IP66



**IR-V-C5P-10030X**

### Dimensions (mm)



### Accessories



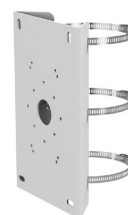
**WALL BRACKET**  
**IR-V-BKP-WAL-01**



**PENDANT MOUNT**  
**IR-V-BKP-PEN-01**



**JUNCTION BOX**  
**IR-V-BKP-JBW-01**



**POLE MOUNT**  
**IR-V-BKP-POL-01**



**CORNER MOUNT**  
**IR-V-BKP-CNR-01**

### Specification

Camera				
Image Sensor	1/2.8" Progressive Scan CMOS			
Max Resolution	2592(H) × 1944(V)			
Electronic Shutter	Auto/Manual, 1/5 to 1/20,000s			
Min. Illumination	Color: 0.05 Lux @ (F1.6, AGC ON), B/W: 0.02 Lux @ (F1.6, AGC ON), 0 Lux with light			
Day & Night	Auto (ICR)			
Lens				
Focal Length	Motorized focus			
Max. Aperture	DC-Iris			
Angle of View	3.6 to 11 mm			
Optical Zoom	F1.3			
Digital Zoom	H: 110.6° to 47.3°, V: 57.9° to 26.8°			
Iris Control	Auto/Manual			
Focus Control	Auto/Manual/Semi-automatic			
DORI				
Lens	Detect	Observe	Recognize	Identify
Wide	104m (341.2ft)	41.6m (136.5ft)	20.8m (68.2ft)	10.4m (34.1ft)
Tele	3,120m (10,236.2ft)	1,248m (4,094.5ft)	624m (2,047.2ft)	312m (1,023.6ft)
Smart Function				
Multi-Object Detection	Support face, human, vehicle detection and capture			
Intelligent Analysis	Intrusion, Single line crossing, Double line crossing, Loitering, Wrong-way, Illegal parking, Smart motion detection (support the accurate detection of vehicle and human)			
Smoke and Fire Detection	Support			
People Counting	Support			
Smart Tracking	Support			
Network				
Protocols	IPv4, IPv6, TCP/IP, HTTP, HTTPS, UPnP, RTSP/RTMP/RTCP, IGMP/Multicast, SMTP, DHCP, NTP, DNS, DDNS, QoS, SNMP, 802.1X, UDP, ICMP, ARP, TLS			
Interoperability	ONVIF, SDK, CGI			
Streaming Method	Multicast			
Max. User Access	10 Users			
Web Viewer	<IE11, Chrome, Firefox, Microsoft Edge			
Language	English, Chinese, Polish, Italian, Portuguese, Spanish, Russian, French, Czech, Hungarian. Default: English			
Electrical				
Power Supply	24VAC/36VDC/PoE+ (IEEE 802.3at), Standard Equipped: 36VDC			
Power Consumption	Less than 24W			
Operating Temperature	-40°C to 60°C (-40°F to 140 °F)			
Operating Humidity	Less than 90% RH			
Ingress Protection	IP66, TVS4000V			
Certifications	CE/FCC			
Casing	Metal			
Dimensions	176.0 × 303.9mm (6.93 × 11.96 in)			
Net Weight	4 Kg (8.82 lb)			

PTZ	
Pan/Tilt Range	Pan: 0° to 360° endless, Tilt: -15° to +90°
Pan Speed	Pan speed: 0.1° to 180%/s, preset speed: 180%/s
Tilt Speed	Tilt speed: 0.1° to 90%/s, preset speed: 90%/s
Presets	400
Patrol Scan	6 Track, 12 Scan, 12 Patrol (up to 32 presets each patrol)
Power-Off Memory	Support
3D Positioning	Support
PTZ Status Display	Support
Idle Motion	The time can be set (1-240 minutes), and functions such as preset positions, patrols, scans, and tracks can be run.
Video	
Streaming Capability	3 Streams
Stream/Frame Rate	Stream1: 2592×1944, 2592×1520, 1920×1080, 1280×720 @25/30fps Stream2: D1, VGA, CIF @25/30fps Stream3: VGA, CIF, QVGA @25/30fps
Bit Rate Control	CBR/VBR
Bit Rate	Stream1: 200kbps to 12Mbps Stream2: 100kbps to 6Mbps Stream3: 100kbps to 3Mbps
Video Compression	H.264, H.265, MJPEG
Smart Encoder	Support
Region of Interest (ROI)	Support
Image	
Image Adjustment	Brightness, Sharpness, Contrast, Saturation
Mirror	Support
Exposure Mode	Auto/Manual
White Balance	Auto/Manual
Day/Night Setting	Auto, Day, Night, Time
Noise Reduction	2D/3D DNR
Image Enhancement	HLC, BLC, Defog, Anti-shake
Wide Dynamic Range	True WDR
S/N Ratio	55dB
Motion Detection	Support
Privacy Masking	Support 40 zones, mask color configurable
Interface	
Network Interface	1 Ethernet (10/100 Base-T) RJ-45 Connector
Audio Interface	1ch Input, 1ch Output
Alarm Interface	1ch Input, 1ch Output
SD Card Slot	Built-in, up to 512GB
Reset Button	Support
Illuminator	
Illuminator Type	IR, warm light
Illumination Distance	IR distance up to 150 m (492.1 ft) Warm light up to 50 m (164.0 ft)
Illumination On/Off Control	Auto/Manual
Audio	
Compression	G.711: 64Kbps, RAW_PCM: 128Kbps