

Large Standard Stainless Steel Holders – 90, 142, 293 mm

- **Seal membrane by hand tightening** locking wing nuts
- **Optimal holder design** minimizes resistance and maximizes flow rate
- **Available in either type 304 or type 316 stainless steel**
- **Each unit labeled** with identifying serial numbers on the outside of both the inlet and outlet plates

APPLICATIONS

- Use in-line for filtering gases or liquids
- Use with pressure vessel (see page 121) for batch type operations



KS 90, KS 142, KS 293

SPECIFICATIONS

	KS 90	KS 142	KS 293
Materials:			
Body	Type 304 or 316 stainless steel		
Support screen	PTFE coated photoetched stainless steel		
O-rings (standard)	Silicone		
Gasket	PTFE		
Connections:			
Inlet, 3/4" NPTF to:	11 mm (3/8") hose barb		16 mm (5/8")
Outlet, 3/4" NPTM to:			hose barb
Pressure:			
Inlet	0.68 MPa (99 psi)		
Differential	0.29 MPa (42 psi)		
Weight:	4 kg (8.8 lb)	6 kg (13 lb)	19 kg (42 lb)
Membrane Compatibility:			
Membrane filter size	90 mm	142 mm	293 mm
Prefilter size	76 mm	124 mm	257 mm
Filtration area	45 cm ²	113 cm ²	530 cm ²

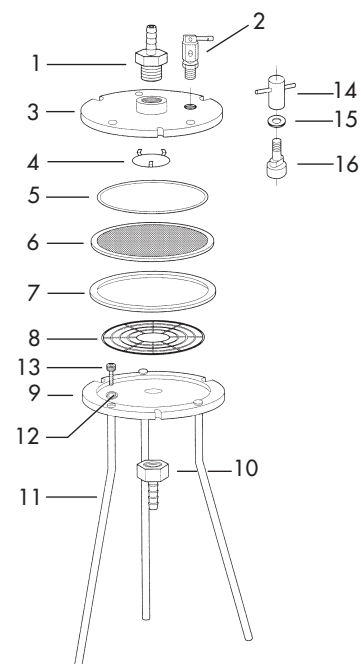
Supplied with aluminum wrench (spanner) and 6 mm allen wrench (hex key).

ORDERING INFORMATION

	KS 90	KS 142	KS 293
304 SS	300800	301900	302500
316 SS	300900	302000	302600

Replacement Parts

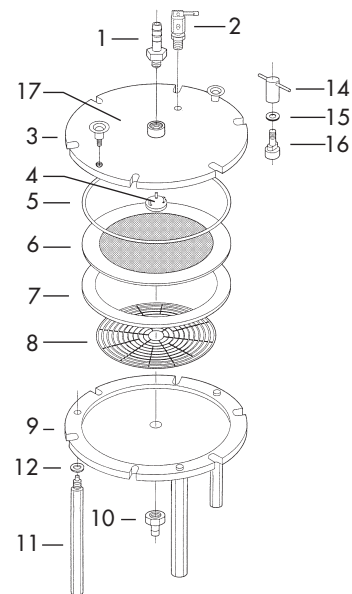
Inlet and Outlet Assemblies				
		KS 90	KS 142	KS 293
1	Inlet adapter (304 SS)	300813		302513
1	Inlet adapter (316 SS)	300913		302613
2	Vent relief valve	301825		
3	Inlet plate (304 SS)	300809	301909	302509
3	Inlet plate (316 SS)	300909	302009	302609
9	Outlet plate (304 SS)	300801	301901	302501
9	Outlet plate (316 SS)	300901	302001	302601
10	Outlet adapter (304 SS)	300817		302517
10	Outlet adapter (316 SS)	300917		302617
Filter Support System				
		KS 90	KS 142	KS 293
4	Flow deflector (316 SS)	301808		
5	O-ring (silicone)	301705	301905	302505
6	Support screen (PTFE coated SS)	301804	302004	302604
7	Gasket (PTFE)	301703	301903	302503
8	Underdrain support (316 SS)	301802	302002	302602
Sealing and Support Assemblies				
		KS 90	KS 142	KS 293
11	Leg	301719	301919	302519
12	Leg washer		301720	302518
13	Leg bolt	301718		
14	Sealing wing nut	301914		302514
15	Sealing washer	301916		302516
16	Sealing bolt	301915		302515



KS 90, KS 142

Accessories and Optional O-rings

	KS 90	KS 142	KS 293	
5	O-ring (FEP-encapsulated silicone)	301706	301906	302506
5	O-ring (FPM)	301707	301907	302507
6	Support Screen (316 SS)	301835	302035	302635
-	Back pressure support screen (304 SS)	301726	301926	302530
-	Back pressure support screen (316 SS)	301728	301928	302532
-	Back pressure support screen (PTFE coated 304 SS)	301727	301927	302531
-	Back pressure support screen (PTFE coated 316 SS)	301729	301929	302533
-	Allen wrench (hex key) 6 mm	301721		-
-	Spanner (wrench) 142 mm	301922		



KS 293