

Standard Products

Embedded Poles

Motic
ELECTRIC

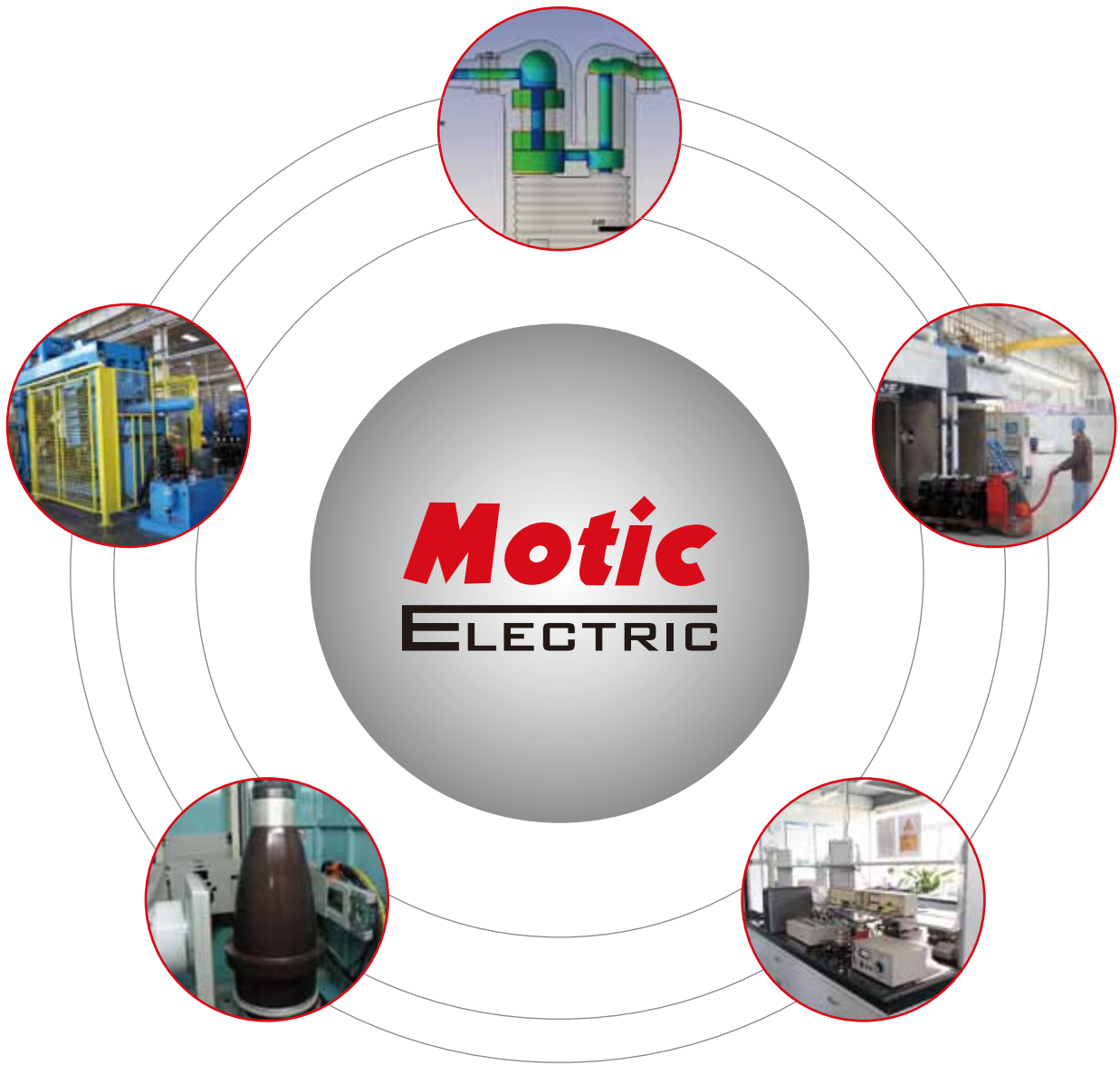
Motic (Xiamen) Electric Group Co., Ltd

Contents

| | |
|---|----|
| Company Profile | 01 |
| Product & Manufacturing | 02 |
| Quality Certification | 03 |
| 12kV Embedded Pole (compact) EP-12/1250-31.5 | 04 |
| 12kV Embedded Pole EP-12/1250-31.5 | 05 |
| 12kV High Altitude Embedded Pole EP-12/1250-31.5 | 06 |
| 12kV Embedded Pole EP-12/2000-40 | 07 |
| 12kV Embedded Pole EP-12/2500-40 | 08 |
| 12kV Embedded Pole EP-12/3150-40 | 09 |
| 12kV High Altitude Embedded Pole EP-12/3150-40 | 10 |
| 12kV Embedded Pole EP-12/3150-50 | 11 |
| 40.5kV Embedded Pole EP-40.5/1250-31.5 | 12 |
| 40.5kV High Altitude Embedded Pole EP-40.5/1250-31.5 | 13 |
| 40.5kV Embedded Pole EP-40.5/2500-31.5 | 14 |
| 40.5kV High Altitude Embedded Pole EP-40.5/2500-31.5 | 15 |
| 40.5kV Double-break Embedded Pole for capacitor bank switching EP40.5/1250-31.5 | 16 |



Motic (Xiamen) Electric Group Co., Ltd



COMPANY PROFILE



Motic (Xiamen) Electric Group Co., Ltd, founded in Xiamen in 1990 and listed in the Shenzhen stock exchange (stock code: 300341), has developed into a modern, innovative high-tech company who manufactures and supplies insulation components for the electrical transmission and distribution networks and the electrical power industry.

With over 20 years of experience in the field of high quality insulators, Motic Electric designs, develops and manufactures insulation components for all voltage ratings from 10kV to 550kV for use in transmission and distribution equipment. Motic Electric has grown into the largest epoxy insulation manufacturer in China.

Motic Electric masters advanced processing technologies including Automatic Pressure Gelation (APG), Vacuum Casting (VC) and Vacuum Pressure Impregnation (VPI). Beside standard products, Motic Electric offers individual and customized products and solutions for medium voltage application. Your unique requirements are professionally fulfilled from prototyping to serial production by more than 500 highly skilled and dedicated employees.



PRODUCT & MANUFACTURING

Motic (Xiamen) Electric Group Co., Ltd, not only possesses first-class production equipment and advanced processing technologies, but also established sophisticated production management system--SAP implementation throughout the whole manufacturing process and APG online monitoring system with self-owned independent intellectual property rights. Annual production capacity over 1 million pieces and over 900 different kinds of insulation components.



QUALITY CERTIFICATION

Providing customer with high quality products and service is critical for Motic Electric. In this dynamic, our company applies internationally recognized Quality Assurance Procedures and is certified according to:

ISO 9001 / ISO 14001 / OHSAS 18001

Our well-established Quality Control System aims to ensure that the products comply with the design requirements and in turn guarantee reliable product performance.

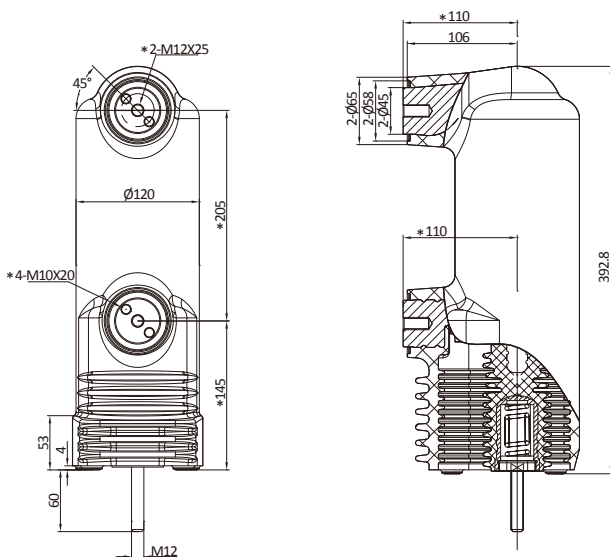
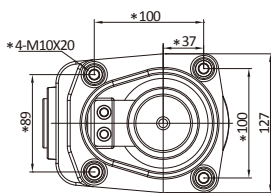


In addition to Quality Assurance certification, Motic Electric has concluded assessment according to European REACH Regulation.

12kV Embedded Pole (compact)

EP-12/1250-31.5

Option: EP-12/1250-25
EP-12/630-25



MAIN TECHNICAL DATA

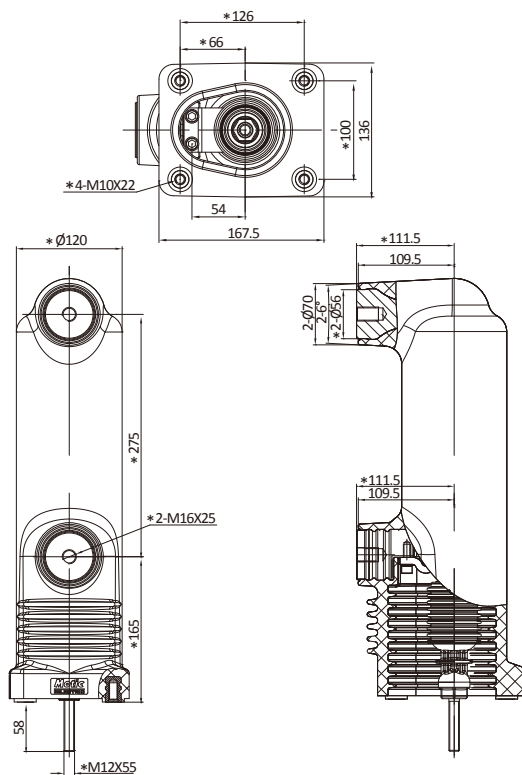
| DATA | VALUE | UNIT |
|---|-------------------|-------|
| Rated voltage | 12 | kV |
| Rated current | 1250 | A |
| Rated frequency | 50/60 | Hz |
| Rated short-circuit breaking current | 31.5 | kA |
| Operations of short-circuit breaking current interruption | 30/50 | times |
| Rated short-circuit making current | 80 | kA |
| Rated peak withstand current | 80 | kA |
| Rated short-time withstand current (4 s) | 31.5 | kA |
| Rated single capacitor bank breaking current | 630 | A |
| Rated back-to-back capacitor breaking current | 400 | A |
| Short-time (1 min) power-frequency withstand voltage | 48 | kV |
| Lighting impulse withstand voltage (peak) | 85 | kV |
| Circuit resistance at rated contact force | ≤25 | μΩ |
| Mechanical life | 10,000 | times |
| Contact closing force due to bellows and atmosphere | 110±60 | N |
| Counterforce at rated contact stroke | 220±60 | N |
| Contact limit erosion | 3 | mm |
| Shelf life | 20 | years |
| Magnitude of partial discharge (13.2 kV) | ≤5 | pC |
| Max. DC component | 50% | |
| Rated operating sequence | 0-0.3s-co-180s-co | |

MECHANICAL DATA OF CIRCUIT EQUIPPED WITH INTERRUPTERS

| DATA | VALUE | UNIT |
|--|----------|------|
| Rated contact stroke | 9±1 | mm |
| Over-travel | 3.5±0.5 | mm |
| Average opening speed (first 12 mm) | 1.1±0.2 | m/s |
| Average closing speed (last 6 mm) | 0.6±0.2 | m/s |
| Rated operation pressure of contact | 3100±200 | N |
| Bounce duration of contact closing | ≤2.0 | ms |
| Out of simultaneity of contact closing and opening | ≤1.0 | ms |
| Max. overtravel | ≤2.0 | mm |
| Overtravel during opening | ≤2.0 | mm |

12kV Embedded Pole EP-12/1250-31.5

Option: EP-12/1250-25
EP-12/630-25



MAIN TECHNICAL DATA

| DATA | VALUE | UNIT |
|---|-------------------|-------|
| Rated voltage | 12 | kV |
| Rated current | 1250 | A |
| Rated frequency | 50/60 | Hz |
| Rated short-circuit breaking current | 31.5 | kA |
| Operations of short-circuit breaking current interruption | 30/50 | times |
| Rated short-circuit making current | 80 | kA |
| Rated peak withstand current | 80 | kA |
| Rated short-time withstand current (4 s) | 31.5 | kA |
| Rated single capacitor bank breaking current | 630 | A |
| Rated back-to-back capacitor breaking current | 400 | A |
| Short-time (1 min) power-frequency withstand voltage | 48 | kV |
| Lighting impulse withstand voltage (peak) | 85 | kV |
| Circuit resistance at rated contact force | ≤25 | μΩ |
| Mechanical life | 10,000 | times |
| Contact closing force due to bellows and atmosphere | 110±60 | N |
| Counterforce at rated contact stroke | 220±60 | N |
| Contact limit erosion | 3 | mm |
| Shelf life | 20 | years |
| Magnitude of partial discharge (13.2 kV) | ≤5 | pC |
| Max. DC component | 50% | |
| Rated operating sequence | 0-0.3s-co-180s-co | |

MECHANICAL DATA OF CIRCUIT EQUIPPED WITH INTERRUPTERS

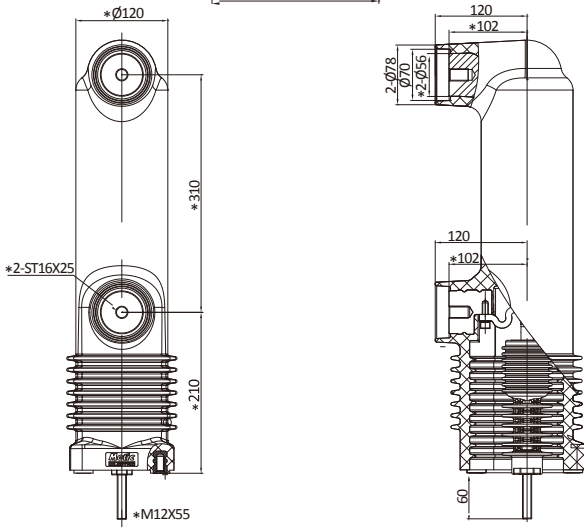
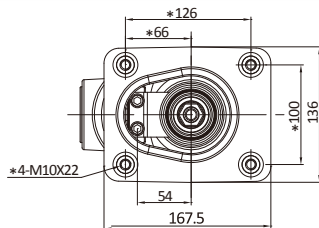
| DATA | VALUE | UNIT |
|--|----------|------|
| Rated contact stroke | 9±1 | mm |
| Over-travel | 3.5±0.5 | mm |
| Average opening speed (first 12 mm) | 1.1±0.2 | m/s |
| Average closing speed (last 6 mm) | 0.6±0.2 | m/s |
| Rated operation pressure of contact | 3100±200 | N |
| Bounce duration of contact closing | ≤2.0 | ms |
| Out of simultaneity of contact closing and opening | ≤1.0 | ms |
| Max. overtravel | ≤2.0 | mm |
| Overtravel during opening | ≤2.0 | mm |



12kV High Altitude Embedded Pole

EP-12/1250-31.5

Option: EP-12/1250-25
EP-12/630-25



MAIN TECHNICAL DATA

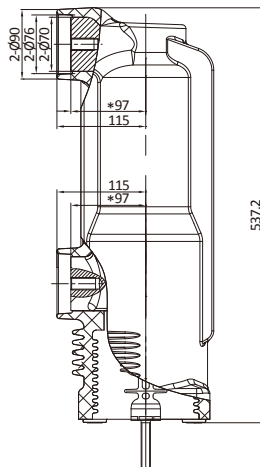
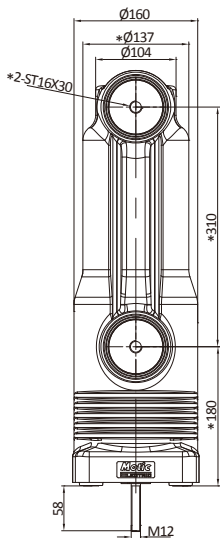
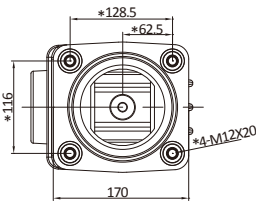
| DATA | VALUE | UNIT |
|---|-------------------|-------|
| Rated voltage | 12 | kV |
| Rated current | 1250 | A |
| Rated frequency | 50/60 | Hz |
| Rated short-circuit breaking current | 31.5 | kA |
| Operations of short-circuit breaking current interruption | 30/50 | times |
| Rated short-circuit making current | 80 | kA |
| Rated peak withstand current | 80 | kA |
| Rated short-time withstand current (4 s) | 31.5 | kA |
| Rated single capacitor bank breaking current | 630 | A |
| Rated back-to-back capacitor breaking current | 400 | A |
| Short-time (1 min) power-frequency withstand voltage | 48 | kV |
| Lighting impulse withstand voltage (peak) | 85 | kV |
| Circuit resistance at rated contact force | ≤25 | μΩ |
| Mechanical life | 10,000 | times |
| Contact closing force due to bellows and atmosphere | 110±60 | N |
| Counterforce at rated contact stroke | 220±60 | N |
| Contact limit erosion | 3 | mm |
| Shelf life | 20 | years |
| Magnitude of partial discharge (13.2 kV) | ≤5 | pC |
| Max. DC component | 50% | |
| Rated operating sequence | 0-0.3s-co-180s-co | |
| High altitude | >3000 | m |

MECHANICAL DATA OF CIRCUIT EQUIPPED WITH INTERRUPTERS

| DATA | VALUE | UNIT |
|--|----------|------|
| Rated contact stroke | 9±1 | mm |
| Over-travel | 3.5±0.5 | mm |
| Average opening speed (first 12 mm) | 1.1±0.2 | m/s |
| Average closing speed (last 6 mm) | 0.6±0.2 | m/s |
| Rated operation pressure of contact | 3100±200 | N |
| Bounce duration of contact closing | ≤2.0 | ms |
| Out of simultaneity of contact closing and opening | ≤1.0 | ms |
| Max. overtravel | ≤2.0 | mm |
| Overtravel during opening | ≤2.0 | mm |

12kV Embedded Pole EP-12/2000-40

Option : EP-12/2000-31.5
EP-12/1600-40
EP-12/1600-31.5



MAIN TECHNICAL DATA

| DATA | VALUE | UNIT |
|---|-------------------|-------|
| Rated voltage | 12 | kV |
| Rated current | 2000 | A |
| Rated frequency | 50/60 | Hz |
| Rated short-circuit breaking current | 31.5/40 | kA |
| Operations of short-circuit breaking current interruption | 30 | times |
| Rated short-circuit making current | 80/100 | kA |
| Rated peak withstand current | 80/100 | kA |
| Rated short-time withstand current (4 s) | 31.5/40 | kA |
| Rated single capacitor bank breaking current | 630 | A |
| Rated back-to-back capacitor breaking current | 400 | A |
| Short-time (1 min) power-frequency withstand voltage | 48 | kV |
| Lighting impulse withstand voltage (peak) | 85 | kV |
| Circuit resistance at rated contact force | ≤20 | μΩ |
| Mechanical life | 10,000 | times |
| Contact closing force due to bellows and atmosphere | 120±50 | N |
| Counterforce at rated contact stroke | 180±50 | N |
| Contact limit erosion | 3 | mm |
| Shelf life | 20 | years |
| Magnitude of partial discharge (13.2 kV) | ≤1 | pC |
| Max. DC component | 50% | |
| Rated operating sequence | 0-0.3s-co-180s-co | |

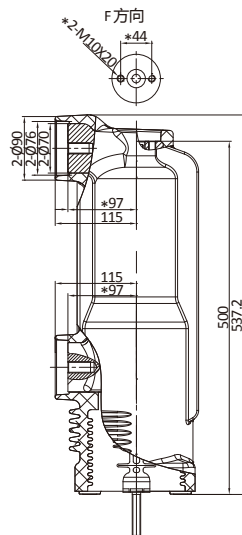
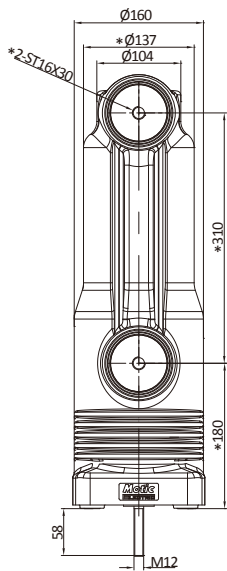
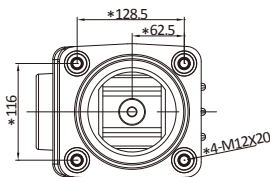
MECHANICAL DATA OF CIRCUIT EQUIPPED WITH INTERRUPTERS

| DATA | VALUE | UNIT |
|--|-----------|------|
| Rated contact stroke | 9±1 | mm |
| Over-travel | 3.5±0.5 | mm |
| Average opening speed (first 12 mm) | 1.1±0.2 | m/s |
| Average closing speed (last 6 mm) | 0.6±0.2 | m/s |
| Rated operation pressure of contact | 4300±2000 | N |
| Bounce duration of contact closing | ≤2.0 | ms |
| Out of simultaneity of contact closing and opening | ≤1.0 | ms |
| Max. overtravel | ≤2.0 | mm |
| Overtravel during opening | ≤2.0 | mm |



12kV Embedded Pole EP-12/2500-40

Option : EP-12/2500-31.5
EP-12/2500-25



MAIN TECHNICAL DATA

| DATA | VALUE | UNIT |
|---|-------------------|-------|
| Rated voltage | 12 | kV |
| Rated current | 2500 | A |
| Rated frequency | 50/60 | Hz |
| Rated short-circuit breaking current | 31.5/40 | kA |
| Operations of short-circuit breaking current interruption | 30 | times |
| Rated short-circuit making current | 80/100 | kA |
| Rated peak withstand current | 80/100 | kA |
| Rated short-time withstand current (4 s) | 31.5/40 | kA |
| Rated single capacitor bank breaking current | 630 | A |
| Rated back-to-back capacitor breaking current | 400 | A |
| Short-time (1 min) power-frequency withstand voltage | 48 | kV |
| Lighting impulse withstand voltage (peak) | 85 | kV |
| Circuit resistance at rated contact force | ≤18 | μΩ |
| Mechanical life | 10,000 | times |
| Contact closing force due to bellows and atmosphere | 120±50 | N |
| Counterforce at rated contact stroke | 180±50 | N |
| Contact limit erosion | 3 | mm |
| Shelf life | 20 | years |
| Magnitude of partial discharge (13.2 kV) | ≤1 | pC |
| Max. DC component | 50% | |
| Rated operating sequence | 0-0.3s-co-180s-co | |

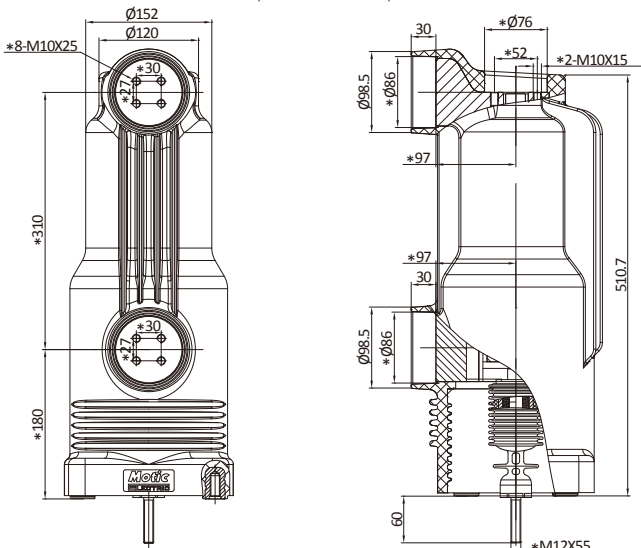
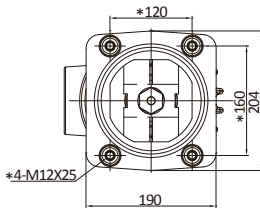
MECHANICAL DATA OF CIRCUIT EQUIPPED WITH INTERRUPTERS

| DATA | VALUE | UNIT |
|--|----------|------|
| Rated contact stroke | 9±1 | mm |
| Over-travel | 3.5±0.5 | mm |
| Average opening speed (first 12 mm) | 1.1±0.2 | m/s |
| Average closing speed (last 6 mm) | 0.6±0.2 | m/s |
| Rated operation pressure of contact | 4300±200 | N |
| Bounce duration of contact closing | ≤2.0 | ms |
| Out of simultaneity of contact closing and opening | ≤1.0 | ms |
| Max. overtravel | ≤2.0 | mm |
| Overtravel during opening | ≤2.0 | mm |



12kV Embedded Pole EP-12/3150-40

Option: EP-12/4000-40
EP-12/3150-31.5
EP-12/4000-31.5



MAIN TECHNICAL DATA

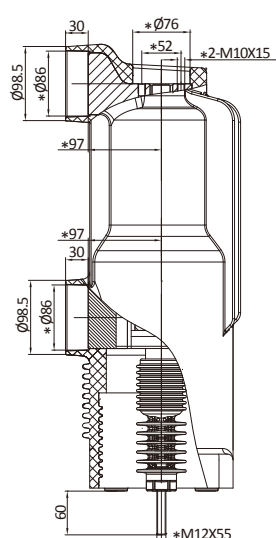
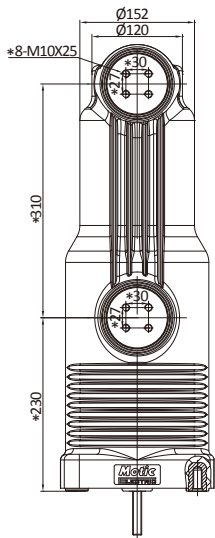
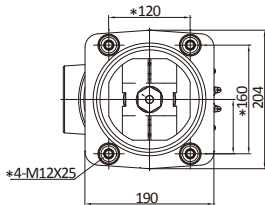
| DATA | VALUE | UNIT |
|---|-------------------|-------|
| Rated voltage | 12 | kV |
| Rated current | 3150/4000 | A |
| Rated frequency | 50/60 | Hz |
| Rated short-circuit breaking current | 31.5/40 | kA |
| Operations of short-circuit breaking current interruption | 30 | times |
| Rated short-circuit making current | 80/100 | kA |
| Rated peak withstand current | 80/100 | kA |
| Rated short-time withstand current (4 s) | 31.5/40 | kA |
| Rated single capacitor bank breaking current | 630 | A |
| Rated back-to-back capacitor breaking current | 400 | A |
| Short-time (1 min) power-frequency withstand voltage | 48 | kV |
| Lighting impulse withstand voltage (peak) | 85 | kV |
| Circuit resistance at rated contact force | ≤16 | μΩ |
| Mechanical life | 10,000 | times |
| Contact closing force due to bellows and atmosphere | 210±50 | N |
| Counterforce at rated contact stroke | 300±50 | N |
| Contact limit erosion | 3 | mm |
| Shelf life | 20 | years |
| Magnitude of partial discharge (13.2 kV) | ≤5 | pC |
| Max. DC component | 50% | |
| Rated operating sequence | 0-0.3s-co-180s-co | |

MECHANICAL DATA OF CIRCUIT EQUIPPED WITH INTERRUPTERS

| DATA | VALUE | UNIT |
|--|----------|------|
| Rated contact stroke | 9±1 | mm |
| Over-travel | 3.5±0.5 | mm |
| Average opening speed (first 12 mm) | 1.1±0.2 | m/s |
| Average closing speed (last 6 mm) | 0.6±0.2 | m/s |
| Rated operation pressure of contact | 4800±200 | N |
| Bounce duration of contact closing | ≤2.0 | ms |
| Out of simultaneity of contact closing and opening | ≤1.0 | ms |
| Max. overtravel | ≤2.0 | mm |
| Overtravel during opening | ≤2.0 | mm |

12kV High Altitude Embedded Pole EP-12/3150-40

Option: EP-12/4000-40
EP-12/3150-31.5
EP-12/4000-31.5



MAIN TECHNICAL DATA

| DATA | VALUE | UNIT |
|---|-------------------|-------|
| Rated voltage | 12 | kV |
| Rated current | 3150/4000 | A |
| Rated frequency | 50/60 | Hz |
| Rated short-circuit breaking current | 31.5/40 | kA |
| Operations of short-circuit breaking current interruption | 30 | times |
| Rated short-circuit making current | 80/100 | kA |
| Rated peak withstand current | 80/100 | kA |
| Rated short-time withstand current (4 s) | 31.5/40 | kA |
| Rated single capacitor bank breaking current | 630 | A |
| Rated back-to-back capacitor breaking current | 400 | A |
| Short-time (1 min) power-frequency withstand voltage | 48 | kV |
| Lighting impulse withstand voltage (peak) | 85 | kV |
| Circuit resistance at rated contact force | ≤16 | μΩ |
| Mechanical life | 10,000 | times |
| Contact closing force due to bellows and atmosphere | 210±50 | N |
| Counterforce at rated contact stroke | 300±50 | N |
| Contact limit erosion | 3 | mm |
| Shelf life | 20 | years |
| Magnitude of partial discharge (13.2 kV) | ≤5 | pC |
| Max. DC component | 50% | |
| Rated operating sequence | 0-0.3s-co-180s-co | |
| High altitude | >3000 | m |

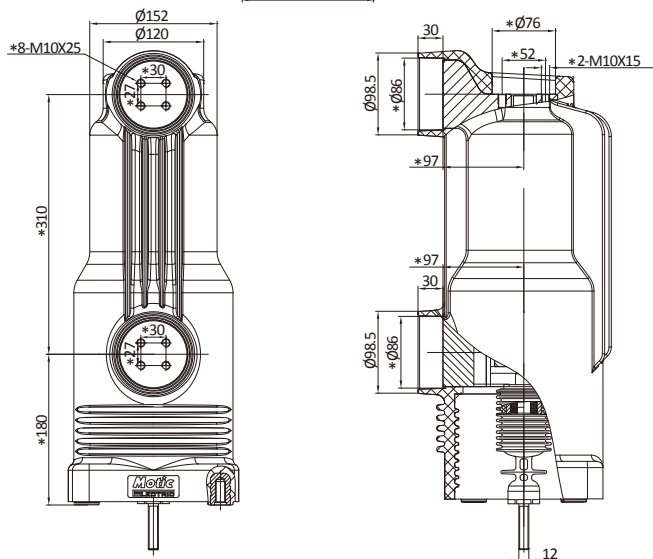
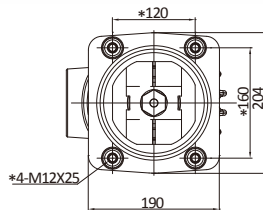
MECHANICAL DATA OF CIRCUIT EQUIPPED WITH INTERRUPTERS

| DATA | VALUE | UNIT |
|--|----------|------|
| Rated contact stroke | 9±1 | mm |
| Over-travel | 3.5±0.5 | mm |
| Average opening speed (first 12 mm) | 1.1±0.2 | m/s |
| Average closing speed (last 6 mm) | 0.6±0.2 | m/s |
| Rated operation pressure of contact | 4800±200 | N |
| Bounce duration of contact closing | ≤2.0 | ms |
| Out of simultaneity of contact closing and opening | ≤1.0 | ms |
| Max. overtravel | ≤2.0 | mm |
| Overtravel during opening | ≤2.0 | mm |



12kV Embedded Pole EP-12/3150-50

Option: EP-12/4000-50
EP-12/1250-50



MAIN TECHNICAL DATA

| DATA | VALUE | UNIT |
|---|-------------------|-------|
| Rated voltage | 12 | kV |
| Rated current | 5000 | A |
| Rated frequency | 50/60 | Hz |
| Rated short-circuit breaking current | 50 | kA |
| Operations of short-circuit breaking current interruption | 30 | times |
| Rated short-circuit making current | 125 | kA |
| Rated peak withstand current | 125 | kA |
| Rated short-time withstand current (4 s) | 50 | kA |
| Rated single capacitor bank breaking current | 630 | A |
| Rated back-to-back capacitor breaking current | 400 | A |
| Short-time (1 min) power-frequency withstand voltage | 48 | kV |
| Lighting impulse withstand voltage (peak) | 85 | kV |
| Circuit resistance at rated contact force | ≤16 | μΩ |
| Mechanical life | 10,000 | times |
| Contact closing force due to bellows and atmosphere | 210±50 | N |
| Counterforce at rated contact stroke | 300±50 | N |
| Contact limit erosion | 3 | mm |
| Shelf life | 20 | years |
| Magnitude of partial discharge (13.2 kV) | ≤1 | pC |
| Max. DC component | 50% | |
| Rated operating sequence | 0-0.3s-co-180s-co | |

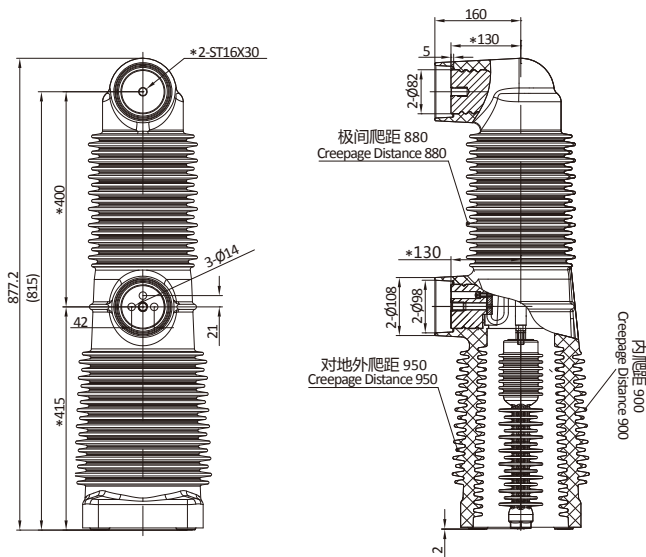
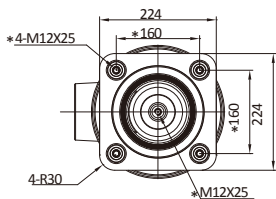
MECHANICAL DATA OF CIRCUIT EQUIPPED WITH INTERRUPTERS

| DATA | VALUE | UNIT |
|--|----------|------|
| Rated contact stroke | 9±1 | mm |
| Over-travel | 3.5±0.5 | mm |
| Average opening speed (first 12 mm) | 1.1±0.2 | m/s |
| Average closing speed (last 6 mm) | 0.6±0.2 | m/s |
| Rated operation pressure of contact | 7000±300 | N |
| Bounce duration of contact closing | ≤2.0 | ms |
| Out of simultaneity of contact closing and opening | ≤1.0 | ms |
| Max. overtravel | ≤2.0 | mm |
| Overtravel during opening | ≤2.0 | mm |



40.5kV Embedded Pole EP-40.5/1250-31.5

Option: EP-40.5/1250-25
EP-40.5/630-25



MAIN TECHNICAL DATA

| DATA | VALUE | UNIT |
|---|-------------------|-------|
| Rated voltage | 40.5 | kV |
| Rated current | 1250 | A |
| Rated frequency | 50/60 | Hz |
| Rated short-circuit breaking current | 31.5 | kA |
| Operations of short-circuit breaking current interruption | 30 | times |
| Rated short-circuit making current | 80 | kA |
| Rated peak withstand current | 80 | kA |
| Rated short-time withstand current (4 s) | 31.5 | kA |
| Rated single capacitor bank breaking current | 630 | A |
| Rated back-to-back capacitor breaking current | 400 | A |
| Short-time (1 min) power-frequency withstand voltage | 118 | kV |
| Lighting impulse withstand voltage (peak) | 215 | kV |
| Circuit resistance at rated contact force | ≤25 | μΩ |
| Mechanical life | 10,000 | times |
| Contact closing force due to bellows and atmosphere | 250±60 | N |
| Counterforce at rated contact stroke | 350±60 | N |
| Contact limit erosion | 3 | mm |
| Shelf life | 20 | years |
| Magnitude of partial discharge (13.2 kV) | ≤5 | pC |
| Max. DC component | 40% | |
| Rated operating sequence | 0-0.3s-co-180s-co | |

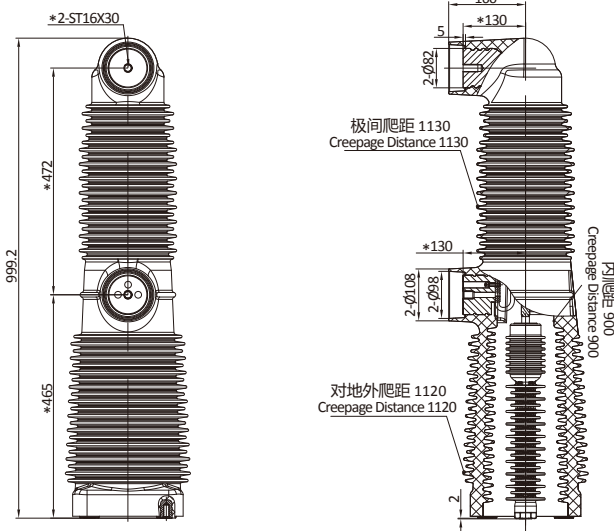
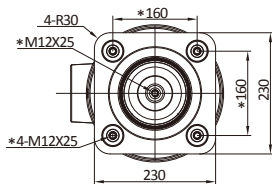
MECHANICAL DATA OF CIRCUIT EQUIPPED WITH INTERRUPTERS

| DATA | VALUE | UNIT |
|--|----------|------|
| Rated contact stroke | 20~22 | mm |
| Average opening speed (first 12 mm) | 1.7±0.3 | m/s |
| Average closing speed (last 6 mm) | 0.75±0.3 | m/s |
| Rated operation pressure of contact | 3600±200 | N |
| Bounce duration of contact closing | ≤3.0 | ms |
| Out of simultaneity of contact closing and opening | ≤2.0 | ms |
| Max. overtravel | ≤3.0 | mm |
| Overtravel during opening | ≤3.0 | mm |

40.5kV High Altitude Embedded Pole

EP-40.5/1250-31.5

Option: EP-40.5/1250-25
EP-40.5/630-25



MAIN TECHNICAL DATA

| DATA | VALUE | UNIT |
|---|-------------------|-------|
| Rated voltage | 40.5 | kV |
| Rated current | 1250 | A |
| Rated frequency | 50/60 | Hz |
| Rated short-circuit breaking current | 31.5 | kA |
| Operations of short-circuit breaking current interruption | 30 | times |
| Rated short-circuit making current | 80 | kA |
| Rated peak withstand current | 80 | kA |
| Rated short-time withstand current (4 s) | 31.5 | kA |
| Rated single capacitor bank breaking current | 630 | A |
| Rated back-to-back capacitor breaking current | 400 | A |
| Short-time (1 min) power-frequency withstand voltage | 118 | kV |
| Lighting impulse withstand voltage (peak) | 215 | kV |
| Circuit resistance at rated contact force | ≤25 | μΩ |
| Mechanical life | 10,000 | times |
| Contact closing force due to bellows and atmosphere | 250±60 | N |
| Counterforce at rated contact stroke | 350±60 | N |
| Contact limit erosion | 3 | mm |
| Shelf life | 20 | years |
| Magnitude of partial discharge (13.2 kV) | ≤5 | pC |
| Max. DC component | 40% | |
| Rated operating sequence | 0-0.3s-co-180s-co | |
| High altitude | >3000 | m |

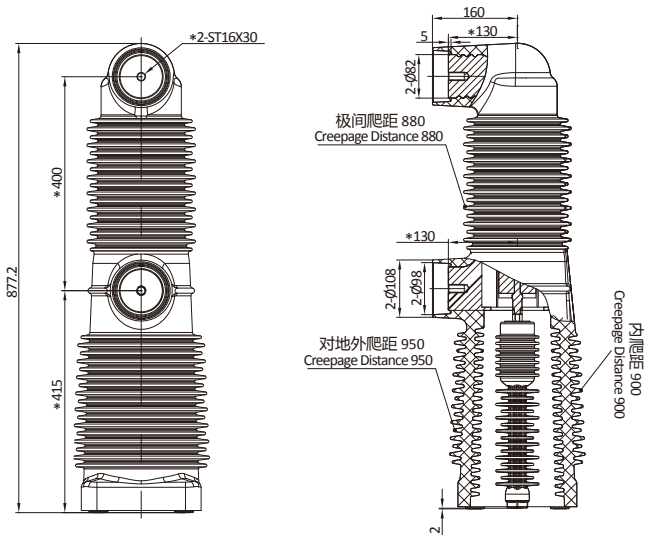
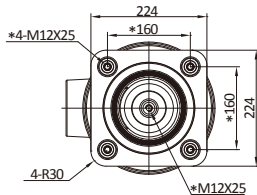
MECHANICAL DATA OF CIRCUIT EQUIPPED WITH INTERRUPTERS

| DATA | VALUE | UNIT |
|--|----------|------|
| Rated contact stroke | 20 ~ 22 | mm |
| Average opening speed (first 12 mm) | 1.7±0.3 | m/s |
| Average closing speed (last 6 mm) | 0.75±0.3 | m/s |
| Rated operation pressure of contact | 3600±200 | N |
| Bounce duration of contact closing | ≤3.0 | ms |
| Out of simultaneity of contact closing and opening | ≤2.0 | ms |
| Max. overtravel | ≤3.0 | mm |
| Overtravel during opening | ≤3.0 | mm |



40.5kV Embedded Pole EP-40.5/2500-31.5

Option: EP-40.5/2500-25
EP-40.5/2000-31.5
EP-40.5/2000-25



MAIN TECHNICAL DATA

| DATA | VALUE | UNIT |
|---|-------------------|-------|
| Rated voltage | 40.5 | kV |
| Rated current | 2500 | A |
| Rated frequency | 50/60 | Hz |
| Rated short-circuit breaking current | 31.5 | kA |
| Operations of short-circuit breaking current interruption | 30 | times |
| Rated short-circuit making current | 80 | kA |
| Rated peak withstand current | 80 | kA |
| Rated short-time withstand current (4 s) | 31.5 | kA |
| Rated single capacitor bank breaking current | 630 | A |
| Rated back-to-back capacitor breaking current | 400 | A |
| Short-time (1 min) power-frequency withstand voltage | 118 | kV |
| Lighting impulse withstand voltage (peak) | 215 | kV |
| Circuit resistance at rated contact force | ≤18 | μΩ |
| Mechanical life | 10,000 | times |
| Contact closing force due to bellows and atmosphere | 250±60 | N |
| Counterforce at rated contact stroke | 350±60 | N |
| Contact limit erosion | 3 | mm |
| Shelf life | 20 | years |
| Magnitude of partial discharge (13.2 kV) | ≤5 | pC |
| Max. DC component | 40% | |
| Rated operating sequence | 0-0.3s-co-180s-co | |

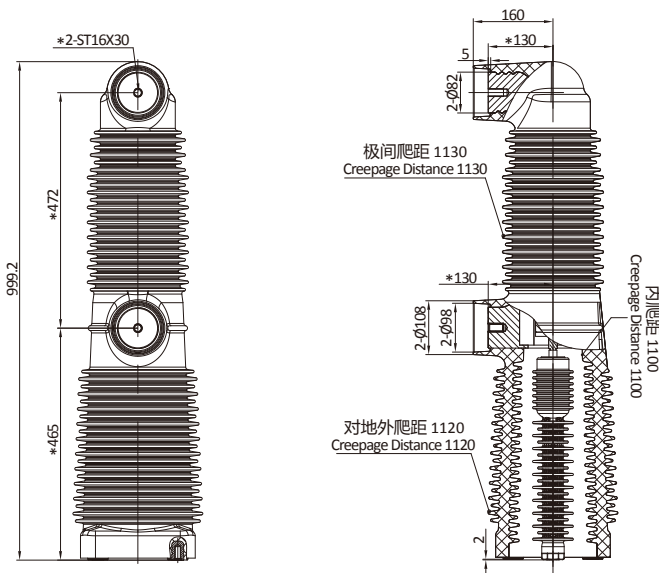
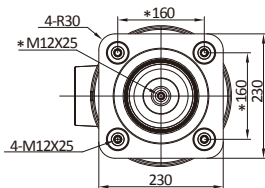
MECHANICAL DATA OF CIRCUIT EQUIPPED WITH INTERRUPTERS

| DATA | VALUE | UNIT |
|--|----------|------|
| Rated contact stroke | 20 ~ 22 | mm |
| Average opening speed (first 12 mm) | 1.7±0.3 | m/s |
| Average closing speed (last 6 mm) | 0.75±0.3 | m/s |
| Rated operation pressure of contact | 3600±200 | N |
| Bounce duration of contact closing | ≤3.0 | ms |
| Out of simultaneity of contact closing and opening | ≤2.0 | ms |
| Max. overtravel | ≤3.0 | mm |
| Overtravel during opening | ≤3.0 | mm |



40.5kV High Altitude Embedded Pole EP-40.5/2500-31.5

Option: EP-40.5/2500-25
EP-40.5/2000-31.5
EP-40.5/2000-25



MAIN TECHNICAL DATA

| DATA | VALUE | UNIT |
|---|-------------------|-------|
| Rated voltage | 40.5 | kV |
| Rated current | 2500 | A |
| Rated frequency | 50/60 | Hz |
| Rated short-circuit breaking current | 31.5 | kA |
| Operations of short-circuit breaking current interruption | 30 | times |
| Rated short-circuit making current | 80 | kA |
| Rated peak withstand current | 80 | kA |
| Rated short-time withstand current (4 s) | 31.5 | kA |
| Rated single capacitor bank breaking current | 630 | A |
| Rated back-to-back capacitor breaking current | 400 | A |
| Short-time (1 min) power-frequency withstand voltage | 118 | kV |
| Lighting impulse withstand voltage (peak) | 215 | kV |
| Circuit resistance at rated contact force | ≤18 | μΩ |
| Mechanical life | 10,000 | times |
| Contact closing force due to bellows and atmosphere | 250±60 | N |
| Counterforce at rated contact stroke | 350±60 | N |
| Contact limit erosion | 3 | mm |
| Shelf life | 20 | years |
| Magnitude of partial discharge (13.2 kV) | ≤5 | pC |
| Max. DC component | 40% | |
| Rated operating sequence | 0-0.3s-co-180s-co | |
| High altitude | >3000 | m |

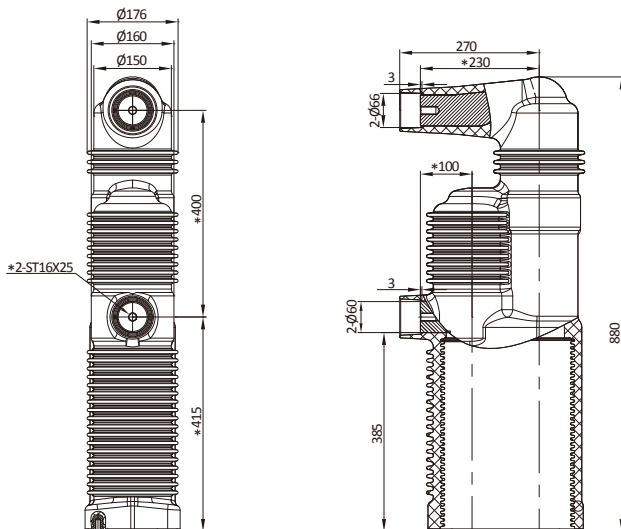
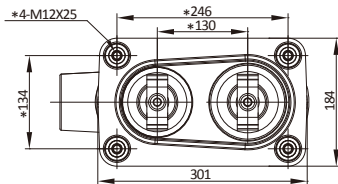
MECHANICAL DATA OF CIRCUIT EQUIPPED WITH INTERRUPTERS

| DATA | VALUE | UNIT |
|--|----------|------|
| Rated contact stroke | 20 ~ 22 | mm |
| Average opening speed (first 12 mm) | 1.7±0.3 | m/s |
| Average closing speed (last 6 mm) | 0.75±0.3 | m/s |
| Rated operation pressure of contact | 3600±200 | N |
| Bounce duration of contact closing | ≤3.0 | ms |
| Out of simultaneity of contact closing and opening | ≤2.0 | ms |
| Max. overtravel | ≤3.0 | mm |
| Overtravel during opening | ≤3.0 | mm |

40.5kV Double-break Embedded Pole for capacitor bank switching

EP40.5/1250-31.5

Option : EP-40.5/1250-25
EP-40.5/630-31.5
EP-40.5/630-25



MAIN TECHNICAL DATA

| DATA | VALUE | UNIT |
|---|-------------------|-------|
| Rated voltage | 40.5 | kV |
| Rated current | 1250 | A |
| Rated frequency | 50/60 | Hz |
| Rated short-circuit breaking current | 31.5 | kA |
| Operations of short-circuit breaking current interruption | 30 | times |
| Rated short-circuit making current | 80 | kA |
| Rated peak withstand current | 80 | kA |
| Rated short-time withstand current (4 s) | 31.5 | kA |
| Rated single capacitor bank breaking current | 630 | A |
| Rated back-to-back capacitor breaking current | 400 | A |
| Short-time (1 min) power-frequency withstand voltage | 118 | kV |
| Lighting impulse withstand voltage (peak) | 215 | kV |
| Circuit resistance at rated contact force | ≤40 | μΩ |
| Mechanical life | 20,000 | times |
| Contact closing force due to bellows and atmosphere | 250±60 | N |
| Counterforce at rated contact stroke | 350±60 | N |
| Contact limit erosion | 3 | mm |
| Shelf life | 20 | years |
| Magnitude of partial discharge (13.2 kV) | ≤5 | pC |
| Max. DC component | 40% | |
| Rated operating sequence | 0-0.3s-co-180s-co | |

MECHANICAL DATA OF CIRCUIT EQUIPPED WITH INTERRUPTERS

| DATA | VALUE | UNIT |
|--|--------------|------|
| Rated contact stroke | (12±1)x2 | mm |
| Average opening speed (first 12 mm) | 1.7±0.3 | m/s |
| Average closing speed (last 6 mm) | 1.3±0.3 | m/s |
| Rated operation pressure of contact | (3100±200)x2 | N |
| Bounce duration of contact closing | ≤3.0 | ms |
| Out of simultaneity of contact closing and opening | ≤2.0 | ms |
| Max. overtravel | ≤3.0 | mm |
| Overtravel during opening | ≤3.0 | mm |

Motic (Xiamen) Electric Group Co., Ltd, founded in Xiamen in 1990 and listed in the Shenzhen stock exchange (stock code: 300341), has developed into a modern, innovative high-tech company who manufactures and supplies insulation components for the electrical transmission and distribution networks and the electrical power industry.

With over 20 years of experience in the field of high quality insulators, Motic Electric designs, develops and manufactures insulation components for all voltage ratings from 10kV to 550kV for use in transmission and distribution equipment. Motic Electric has grown into the largest epoxy insulation manufacturer in China.

Motic Electric masters advanced processing technologies including Automatic Pressure Gelation (APG), Vacuum Casting (VC) and Vacuum Pressure Impregnation (VPI). Beside standard products, Motic Electric offers individual and customized products and solutions for medium voltage application. Your unique requirements are professionally fulfilled from prototyping to serial production by more than 500 highly skilled and dedicated employees.

Motic

ELECTRIC

麦克奥迪（厦门）电气股份有限公司
Motic (Xiamen) Electric Group Co., Ltd

中国厦门火炬高新区（翔安）产业区舫山南路808号
No. 808 Fangshan Nan Road, XiangAn, Xiamen, 361101 P.R. China
电话(Tel): +86 (0)592 5628 287
传真(Fax): +86 (0)592 5626 612
邮箱(E-mail): sales@motic-electric.com
www.motic-electric.com

