

Product Catalog

Commodities

Motic
ELECTRIC

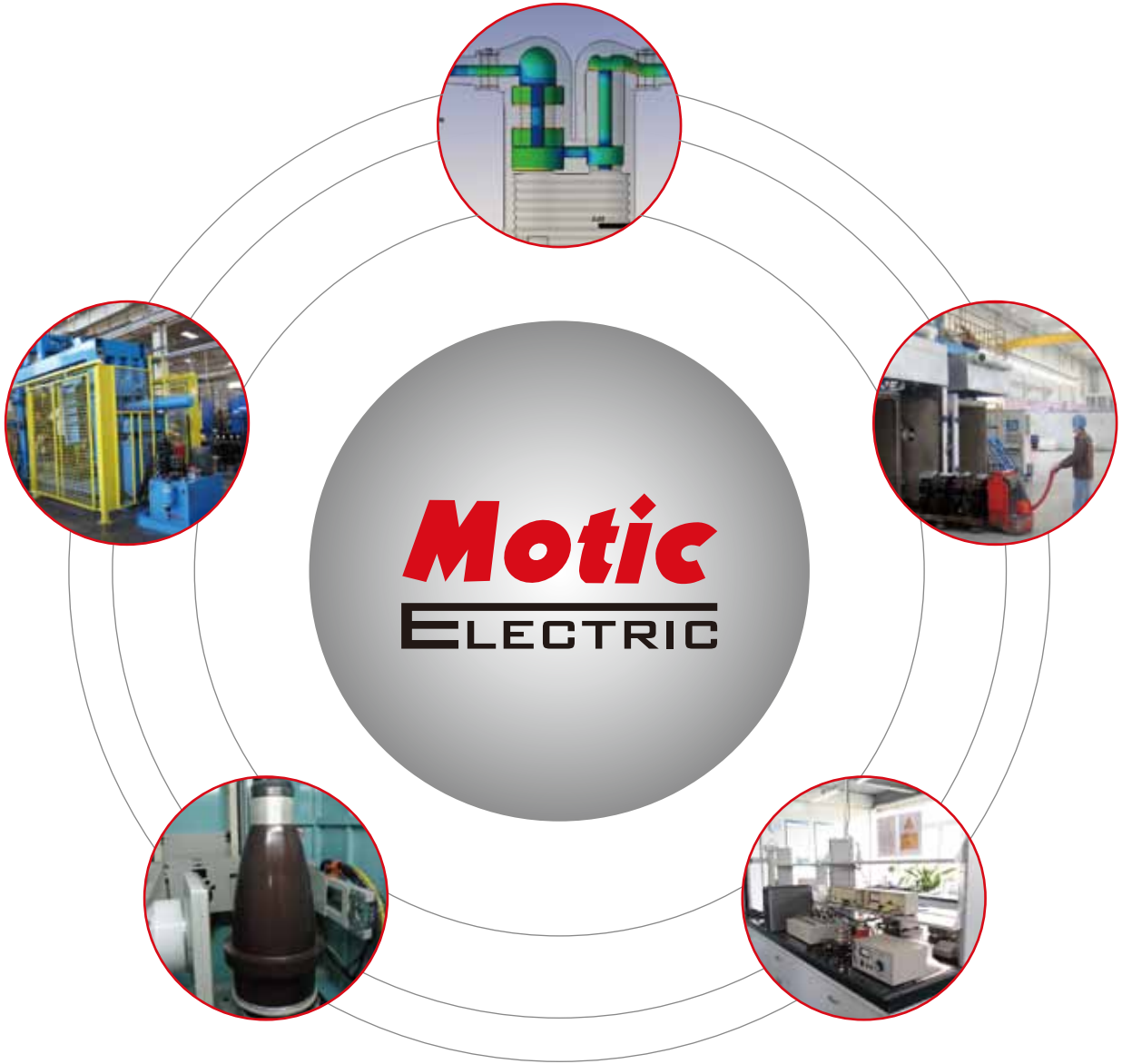
Motic (Xiamen) Electric Group Co., Ltd

Contents

Company Profile	1
Product & Manufacturing	2
About Us	3
Quality Certification	4
Low Voltage Post Insulators	5
Medium Voltage Post Insulators	6
Capacitive Post Insulators	7
Screwable Bushings	8
O-Ring Bushings	9



Motic (Xiamen) Electric Group Co., Ltd



COMPANY PROFILE



Motic (Xiamen) Electric Group Co., Ltd, founded in Xiamen in 1990 and listed in the Shenzhen stock exchange (stock code: 300341), has developed into a modern, innovative high-tech company who manufactures and supplies insulation components for the electrical transmission and distribution networks and the electrical power industry.

With over 20 years of experience in the field of high quality insulators, Motic Electric designs, develops and manufactures insulation components for all voltage ratings from 10kV to 550kV for use in transmission and distribution equipment. Motic Electric has grown into the largest epoxy insulation manufacturer in China.

Motic Electric masters advanced processing technologies including Automatic Pressure Gelation (APG), Vacuum Casting (VC) and Vacuum Pressure Impregnation (VPI). Beside standard products, Motic Electric offers individual and customized products and solutions for medium voltage application. Your unique requirements are professionally fulfilled from prototyping to serial production by more than 500 highly skilled and dedicated employees.



PRODUCT & MANUFACTURING

Motic (Xiamen) Electric Group Co., Ltd, not only possesses first-class production equipment and advanced processing technologies, but also established sophisticated production management system--SAP implementation throughout the whole manufacturing process and APG online monitoring system with self-owned independent intellectual property rights. Annual production capacity over 1 million pieces and over 900 different kinds of insulation components.



QUALITY CERTIFICATION

Providing customer with high quality products and service is critical for Motic Electric. In this dynamic, our company applies internationally recognized Quality Assurance Procedures and is certified according to:

ISO 9001 / ISO 14001 / OHSAS 18001

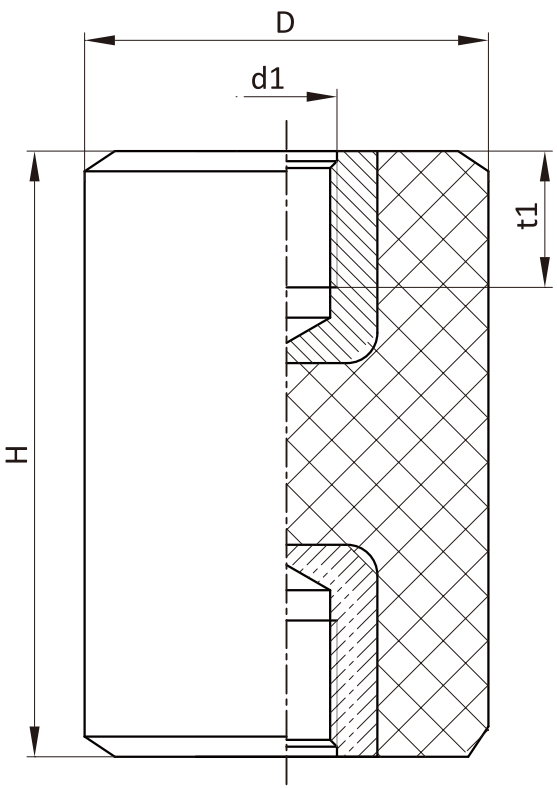
Our well-established Quality Control System aims to ensure that the products comply with the design requirements and in turn guarantee reliable product performance.



In addition to Quality Assurance certification, Motic Electric has concluded assessment according to European REACH Regulation.



Low Voltage Post Insulators



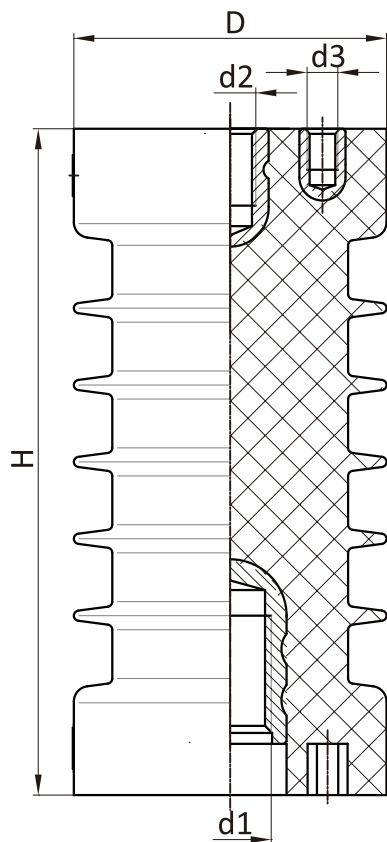
Epoxy resin insulators offer following advantages:

- Ⓜ High impact strength
- Ⓜ Due to little shrinkage, epoxy resin components show excellent dimensional accuracy
- Ⓜ High arc resistance
- Ⓜ High chemical and thermal resistance

LV POST INSULATORS PARAMETERS ACCORDING TO THE IEC 71-1 (VDE0111/1)

TYPE	RATED VOLTAGE	FREQUENCY POWER	TENSILE STRENGTH	BENDING STRENGTH	H (mm)	Φ D (mm)	d1x t1 (mm)
KXST010009	12kV	55kV	14.0kN	5.5kN	40	40	M10x12
KXST010018	12kV	55kV	17.0kN	6.5kN	50	50	M12x12
KXST010020	12kV	55kV	13.0kN	5.0kN	60	40	M10x15

Medium Voltage Post Insulators



MV POST INSULATORS REQUIREMENTS

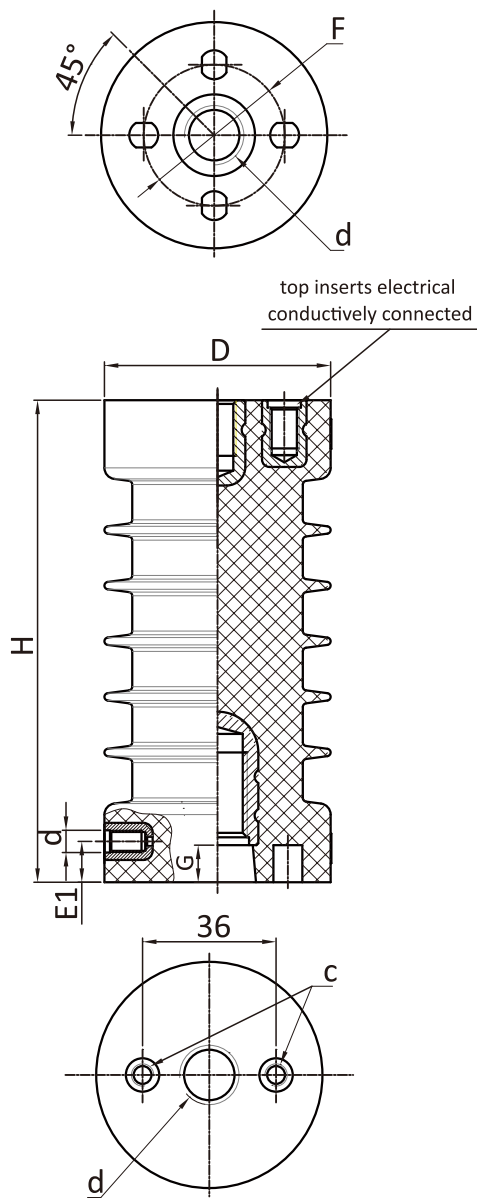
Nominal voltage Un	12kV	24kV	36kV
Lightning impulse withstand voltage (1.2 / 50 μs)	60/75kV	95/125kV	145/185kV
Power frequency withstand voltage (50Hz / 1 min)	28/42kV	50/68kV	70/95kV
Power frequency withstand voltage	5-10kN	5kN	5-10kN

MV POST INSULATORS PARAMETERS ACCORDING TO THE IEC 273 (VDE0674/4)

N/S	TYPE	RATED VOLTAGE	LIGHTNING IMPULSE WITHSTAND VOLTAGE	PARTIAL DISCHARGE	CREEPAGE DISTANCE (mm)	H (mm)	Φ D (mm)	d1 (mm)	d2 (mm)	d3 (mm)
1	A10N-500	12kV	75kV	≤ 10 pC	180	130	61	M16	M10	M6
2	B10N-1000	10kV	75kV	≤ 10 pC	240	130	77	M20	M16	
3	B10L-1000	12kV	75kV	≤ 10 pC	240	140	77	M20	M16	M10
4	A20S-500	20kV	95kV	≤ 10 pC	260	175	70	M16	M10	M6
5	A24N-500	24kV	125kV	≤ 10 pC	555	225	88	M16	M12	M6
6	B24N-1000	24kV	125kV	≤ 10 pC	480	210	120	M20	M16	M10
7	A30N-500	30kV	170kV	≤ 10 pC	450	300	80	M16	M10	M6
8	A35N-1000	40.5kV	185kV	≤ 10 pC	840	300	150	M24	M16	M10



Capacitive Post Insulators



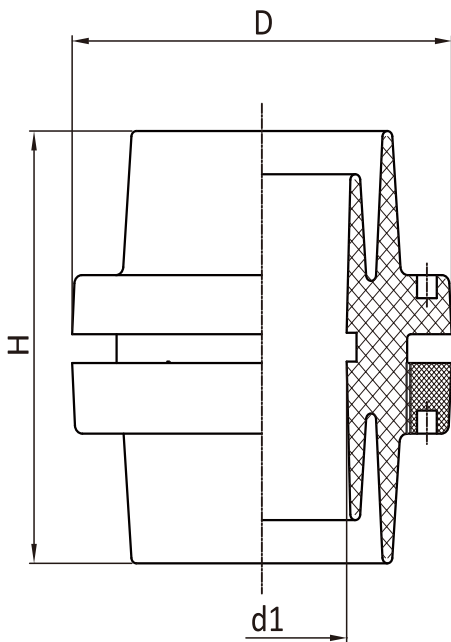
CAPACITIVE POST INSULATORS REQUIREMENTS

Rated voltage		7.2kV	12kV	24kV	40.5kV
Maximum work voltage					
Rated frequency		50Hz			
power frequency withstand voltage (1 min)	High voltage side to the earth or low voltage tap	32kV	42kV	68kV	100kV
	Low voltage tap to the earth	2kV			
Lightning impulse withstand voltage(peak)		60kV	75kV	125kV	185kV
Partial discharge		≤10 pC			
Capacitance		40±10%	20±10%	15±10%	10±15%
Creepage distance		240 mm	480 mm	840 mm	
Bending strength		7.5kN		10kN	

CAPACITIVE POST INSULATORS PARAMETERS

N/S	TYPE	RATED VOLTAGE	H (mm)	Φ D (mm)	a (mm)	b (mm)	c (mm)	d (mm)	E ₁ (mm)	E ₂ (mm)	F (mm)	G (mm)
1	B06N-1000C	7.2kV	130	77	M20x25	M16x20	M10x14	M6x13	9	-	45	15
2	B10N-1000C	12kV	130	77	M20x25	M16x20	M10x14	M6x13	9	-	45	15
3	B24N-1000C	24kV	210	120	M20x25	M16x30	M10x16	M6x13	-	34	45	15
4	A35N-1000C	40.5kV	300	150	M24x40	M16x30	M10x14	M6x13	-	34	55	36

Screwable Bushings



SCREWABLE BUSHING REQUIREMENTS

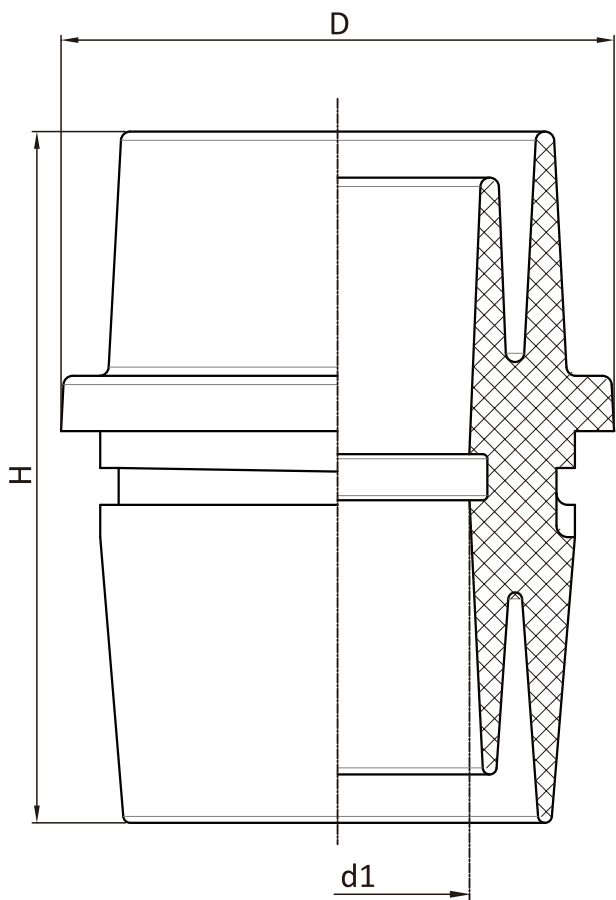
Nominal voltage Un	12kV	24kV	36kV
Lightning impulse withstand voltage (1.2 / 50 μs)	75kV	125kV	170kV
Power frequency withstand voltage (50Hz / 1 min)	28kV	50kV	70kV
Partial discharge	≤5 pC at 1.1 Un		
Bending strength	≥10kN		

SCREWABLE BUSHINGS PARAMETERS ACCORDING TO IEC71-1 (VDE0111/1)

N/S	TYPE	RATED VOLTAGE	CREEPAGE DISTANCE (mm)	H (mm)	Φ D (mm)	d1 (mm)
1	GD12/55	12kV	120	120	120	55
2	GD12/75	12kV	120	120	140	75
3	GD12/95	12kV	120	120	160	95
4	GD12/115	12kV	120	120	180	115
5	GD12/145	12kV	120	120	210	145
6	GD24-36/55	24-36kV	230	150	140	55
7	GD24-36/75	24-36kV	235	150	160	75
8	GD24-36/95	24-36kV	230	150	180	95
9	GD24-36/115	24-36kV	230	150	200	115
10	GD24-36/145	24-36kV	230	150	230	145



O-Ring Bushings



O-RING BUSHINGS PARAMETERS

N/S	TYPE	RATED VOLTAGE	CREEPAGE DISTANCE (mm)	H (mm)	Φ D (mm)	d1 (mm)
1	OD24/55.5	24kV	225	150	120	55
2	OD24/55.8	24kV	225	150	120	55
3	OD24/75.8	24kV	225	150	140	75
4	OD24/115.8	24kV	225	150	180	115

Motic (Xiamen) Electric Group Co., Ltd, founded in Xiamen in 1990 and listed in the Shenzhen stock exchange (stock code: 300341), has developed into a modern, innovative high-tech company who manufactures and supplies insulation components for the electrical transmission and distribution networks and the electrical power industry.

With over 20 years of experience in the field of high quality insulators, Motic Electric designs, develops and manufactures insulation components for all voltage ratings from 10kV to 550kV for use in transmission and distribution equipment. Motic Electric has grown into the largest epoxy insulation manufacturer in China.

Motic Electric masters advanced processing technologies including Automatic Pressure Gelation (APG), Vacuum Casting (VC) and Vacuum Pressure Impregnation (VPI). Beside standard products, Motic Electric offers individual and customized products and solutions for medium voltage application. Your unique requirements are professionally fulfilled from prototyping to serial production by more than 500 highly skilled and dedicated employees.

Motic

ELECTRIC

麦克奥迪（厦门）电气股份有限公司
Motic (Xiamen) Electric Group Co., Ltd

中国厦门火炬高新区（翔安）产业区舫山南路808号
No. 808 Fangshan Nan Road, XiangAn, Xiamen, 361101 P.R. China
电话(Tel): +86 (0)592 5628 287
传真(Fax): +86 (0)592 5626 612
邮箱(E-mail): sales@motic-electric.com
www.motic-electric.com

